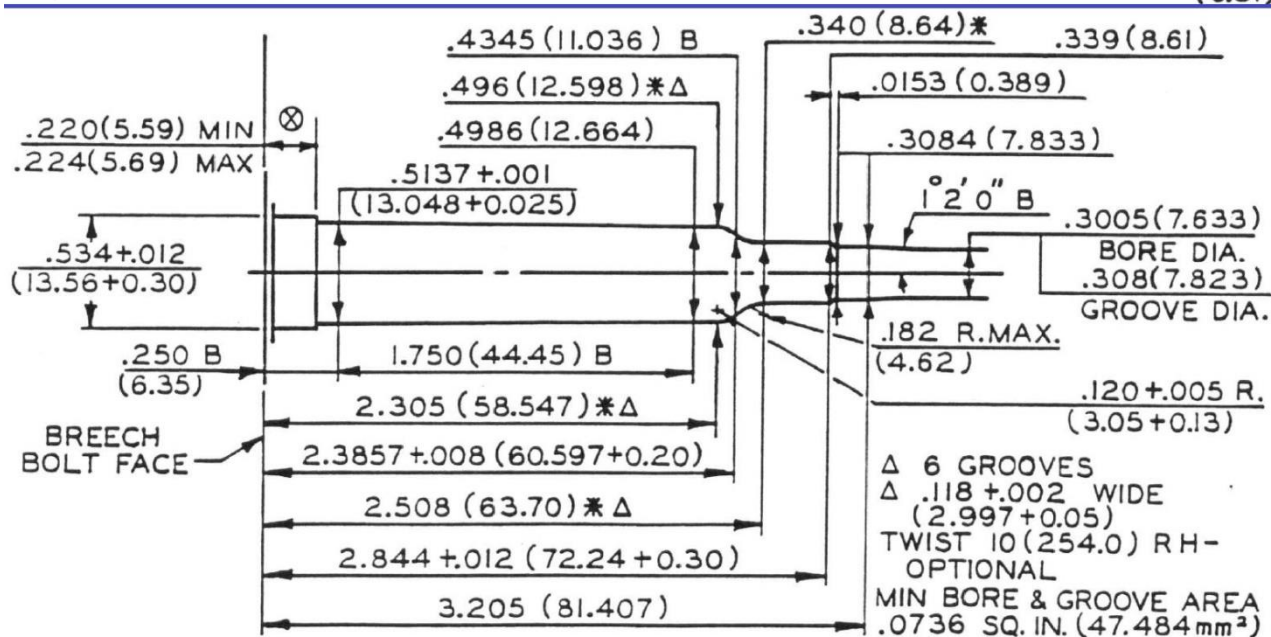
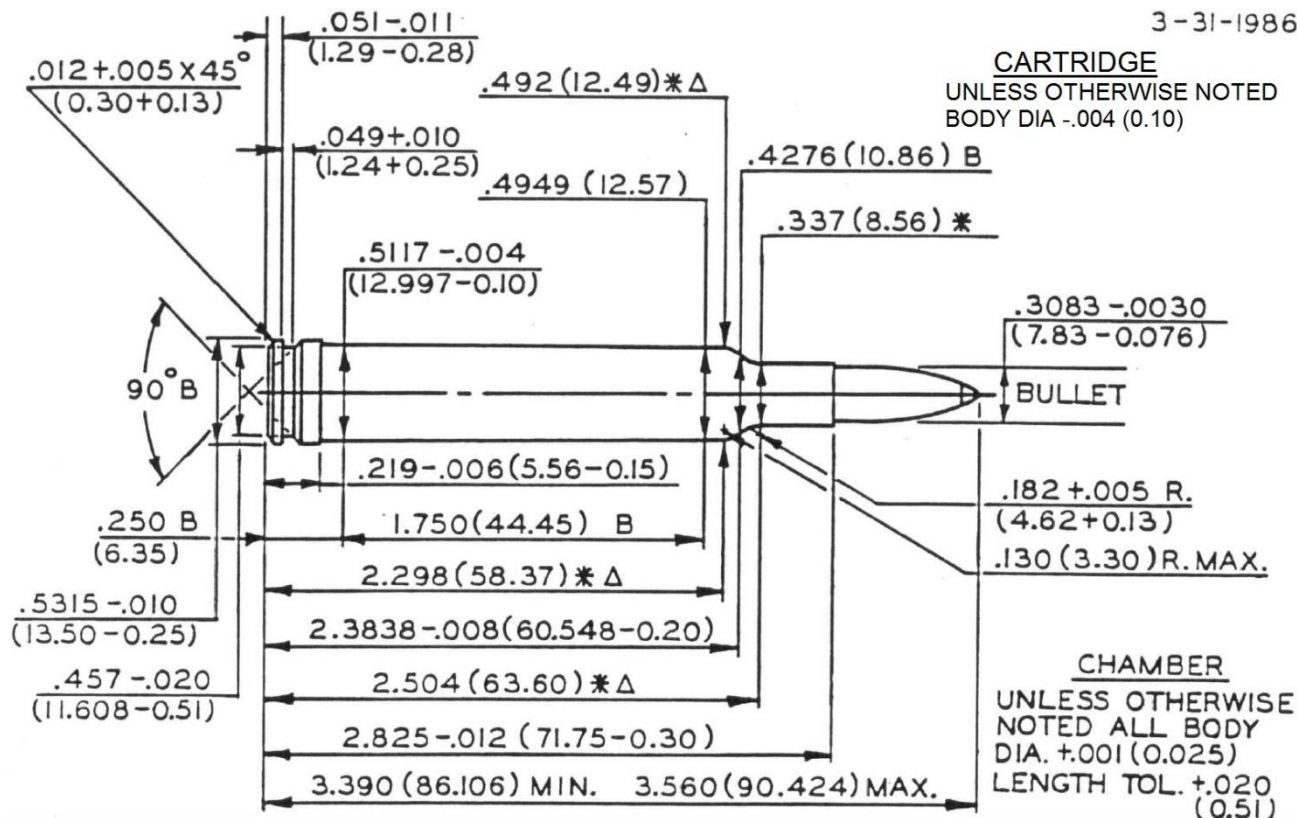


NOTICE: This drawing is subject to change.
 Current version is available at www.saami.org.

MAXIMUM CARTRIDGE / MINIMUM CHAMBER
300 WEATHERBY MAGNUM

3-31-1986



NOTE
 B=BASIC
 (XX.XX)=MILLIMETERS
 ⊗=HEADSPACE DIMENSION
 * DIMENSIONS ARE TO INTERSECTION OF LINES
 Δ REFERENCE DIMENSION
 ALL CALCULATIONS APPLY AT MAXIMUM MATERIAL
 CONDITION (MMC)

NOTICE: This drawing is subject to change.
 Current version is available at www.saami.org.

MAXIMUM CARTRIDGE / MINIMUM CHAMBER

300 WINCHESTER MAGNUM

